



PLEASE READ this guide prior to installation, to familiarise yourself with the various stages of construction required. Carefully open the pack and check the contents against the parts and fittings check list.

Do not destroy any of the packaging until you are certain that you have all the necessary parts. Please ensure that the packaging is disposed of in a safe and environmentally friendly way.

In the unlikely event of missing or damaged parts, please email [hello@time4sleep.co.uk](mailto:hello@time4sleep.co.uk). Please have this guide close at hand, quoting the part code reference numbers shown, when requesting spare or replacement parts.

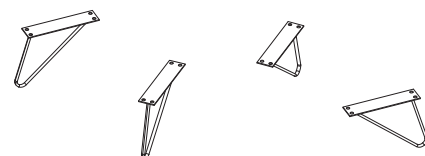
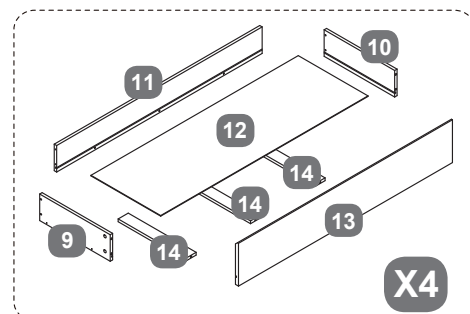
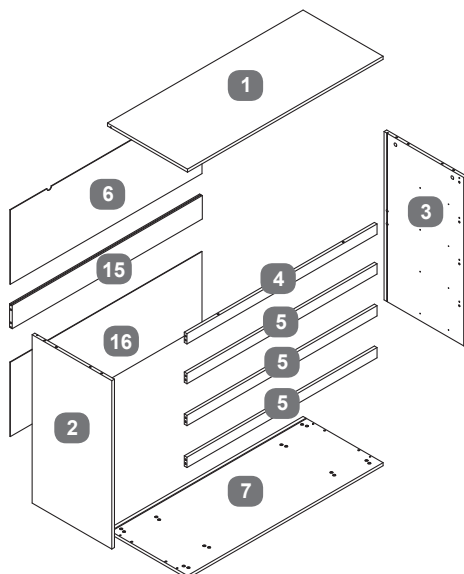
### Warnings

- The legs, feet or base of this product must always stand on a firm and level floor.
- For safety, please carefully fit the anti-tilt devices supplied (s), see Stage 20.
- Keep small parts out of the reach of children during assembly to prevent choking.
- DO NOT use power tools to construct this product.
- DO NOT tighten screws until parts are assembled or as advised in this guide.
- DO NOT over tighten screws or bolts.
- DO NOT use this product if parts are missing, damaged or worn.
- DO NOT sit or stand on the product.

### Care Information

- To clean, wipe with a damp cloth.
- Never use scourers, abrasives or chemical cleaners.
- Do not use solvent based cleaners or detergents as they can bleach or damage the product.

### Parts Identification




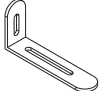

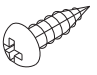
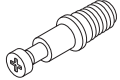
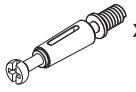

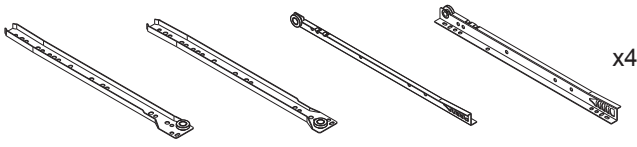
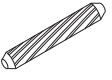



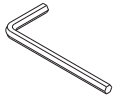
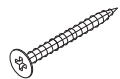

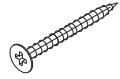

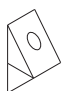


Pack 3/3 Feet supplied in a separate carton

## Parts Checklist

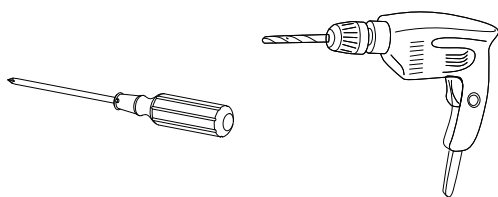
PACK 1/3		Qty	PACK 2/3		Qty
1	Top Panel	1	2	Left Side Panel	1
4	Upper Cross Rail	1	3	Right Side Panel	1
5	Drawer Cross Rail	3	7	Cabinet Base Panel	1
6	Upper Back Panel	1	9	Drawer Left Side Panel	4
11	Drawer Back Panel	4	10	Drawer Right Side Panel	4
13	Drawer Front Panel	4	12	Drawer Base Panel	4
14	Drawer Support Bar	3	14	Drawer Support Bar	9
15	Back Panel Joint Rail	1			
16	Lower Back Panel	1			

## Fittings Checklist

### HARDWARE NEEDED FOR CABINET ASSEMBLY

Code	Description	Qty	Code	Description	Qty
a	Thin Thread Metal Dowel (Ø 7 x 40mm)	 x15	s	Anti Tilt 'L' Bracket	 x2
b	Lock (Ø 15 x 12mm)	 x19	t	Screw (Ø 4 x 12 mm)	 x2
c	Thin Thread Metal Dowel (Ø 5 x 34mm)	 x28	u	Thick Thread Metal Dowel (Ø7x39mm)	 x4
d	Lock (Ø 12 x 10mm)	 x28	 CL      CR      DL      DR		
e	Wooden Dowel (Ø 8 x 30mm)	 x16	<h3>For Fitting the Feet</h3>		
f	Screw (Ø 3 x 16 mm)	 x8	k	Set Screw (M 6 x 15 mm)	 x16
g	Screw (Ø 3.5 x 12 mm)	 x64	l	Allen (M 4)	 x1
h	Screw (Ø 4 x 35 mm)	 x30	n	Flat Washers (Ø6/Ø16 mm)	 x16
j	Screw (Ø 5 x 40 mm)	 x4	p	Spring Washers (Ø10 mm)	 x16
m	Back Tension Support	 x8	q	Foot Pad (20 x 8 x 3 mm)	 x4
r	Expansion Plug	 x2			

## Additional Tools Required



## General Hints & Tips



Please retain your assembly instruction and tools provided for future use. Periodically check that all bolts are still tight.

## Care & Maintenance

In the unlikely event of missing or damaged parts, please contact your retailer. Please have this guide at hand quoting the part code reference numbers shown when requesting spare or replacement parts.



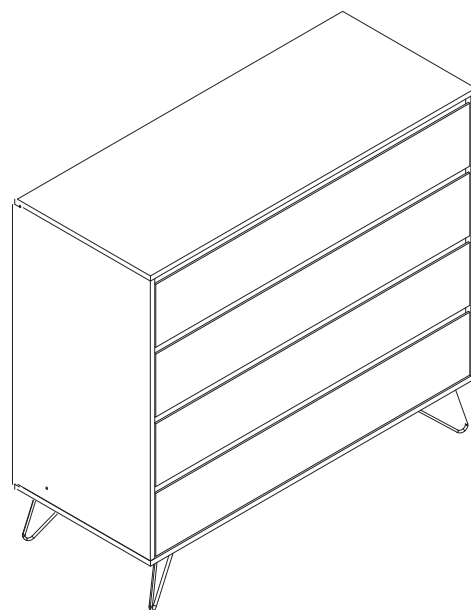
Assembly requires two persons.



Approximate time to assemble this product

## General Information

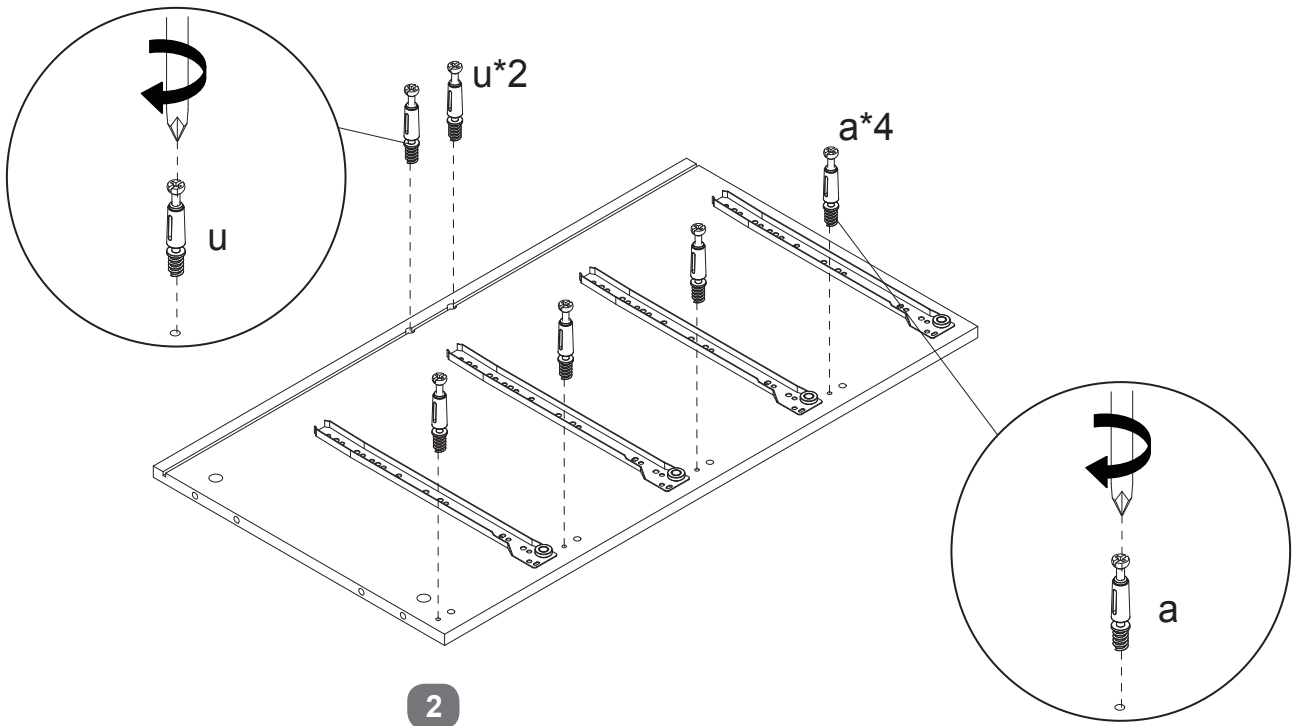
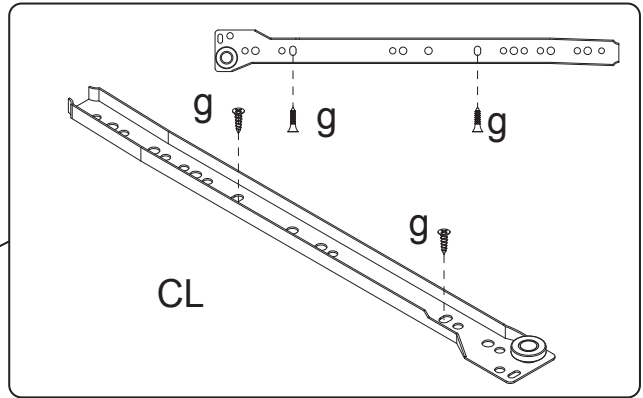
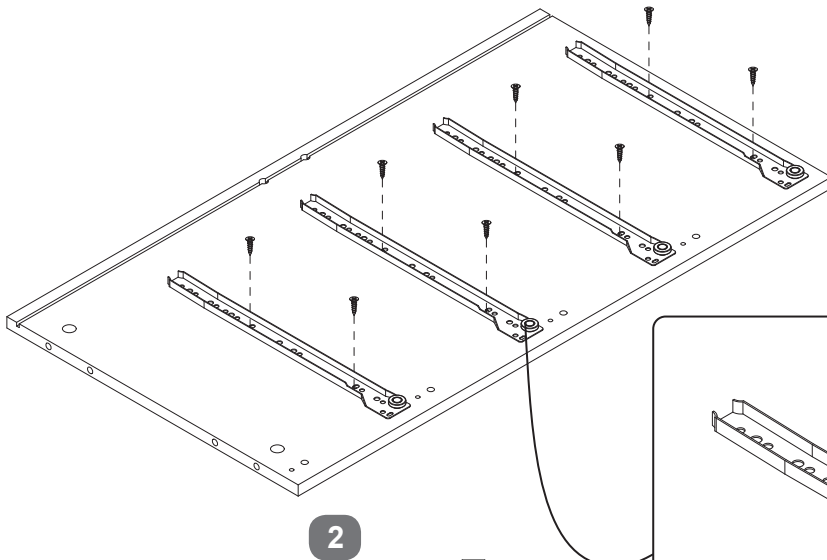
- This product is designed to hold 25Kg in total, spread evenly over the whole unit.
- Do not exceed this weight.
- Do not sit or stand on the product.
- We recommend that this unit is assembled in the room intended for use.
- When you are ready to start, make sure that you have the right tools, plenty of space and a clean, dry area for assembly.
- Unwrap all packaging materials and place the components on top of the carton box or on a clean floor to prevent them from scratching.
- Check the pack and make sure you have all the parts listed.
- Ensure that this product is fully assembled as illustrated before use.
- Check all screws or bolts are tightened and inspect regularly.
- Tools are not included unless they are specified in the parts list.



# Cabinet Assembly

Stage  
1

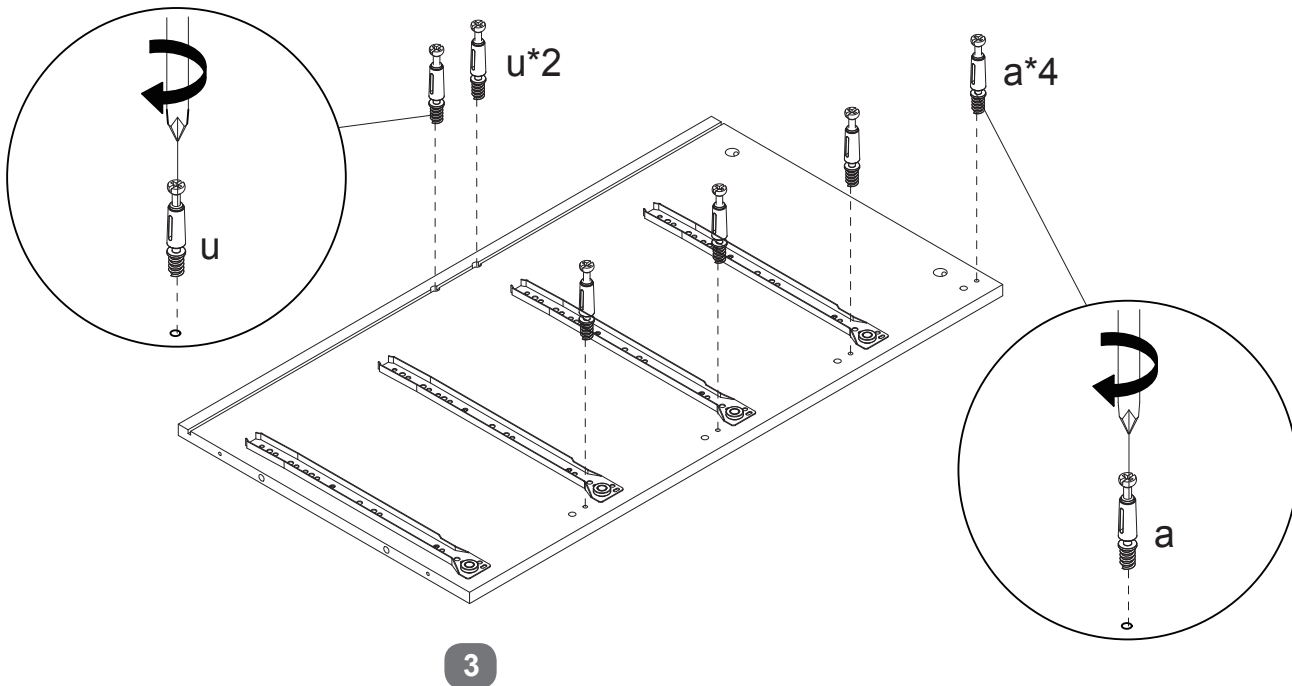
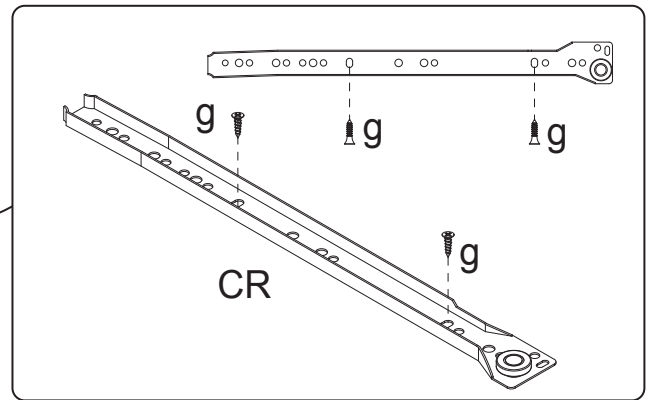
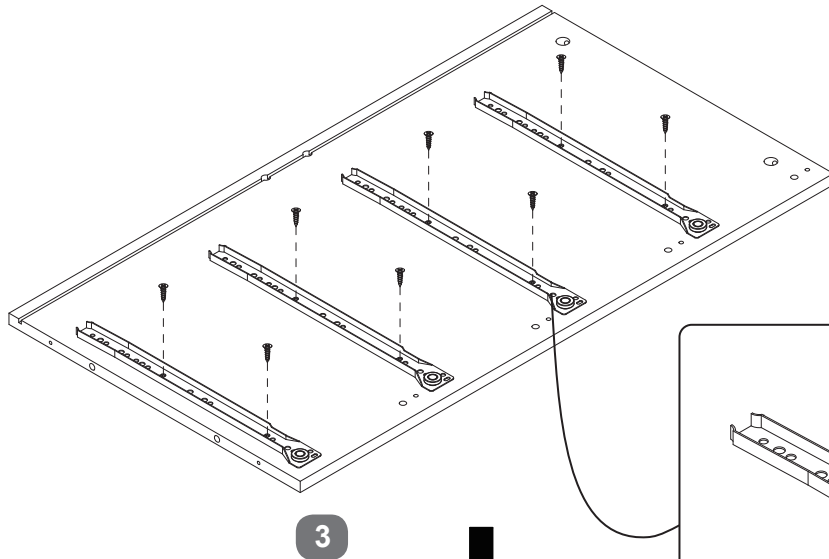
a		4	
g		8	
CL		4	
u		2	



# Cabinet Assembly

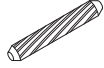
Stage  
2

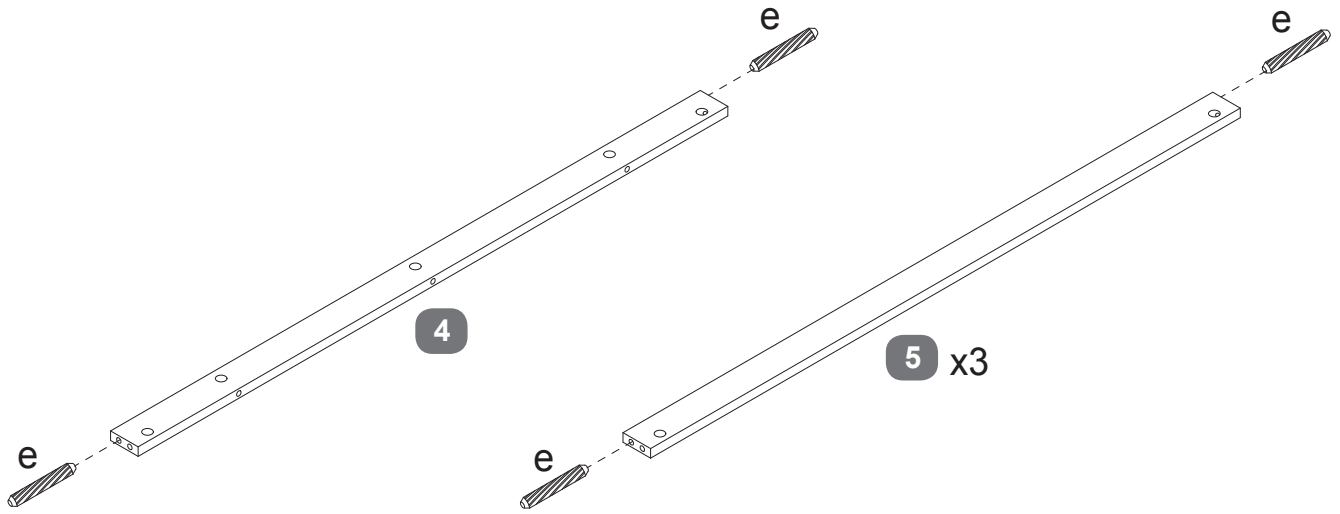
a		4	
g		8	
CR		4	
u		2	




# Cabinet Assembly

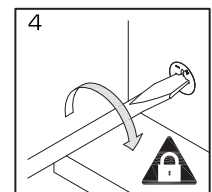
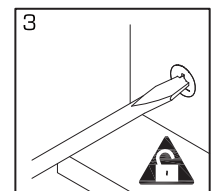
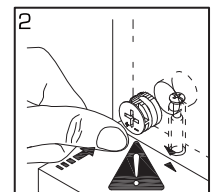
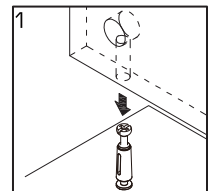
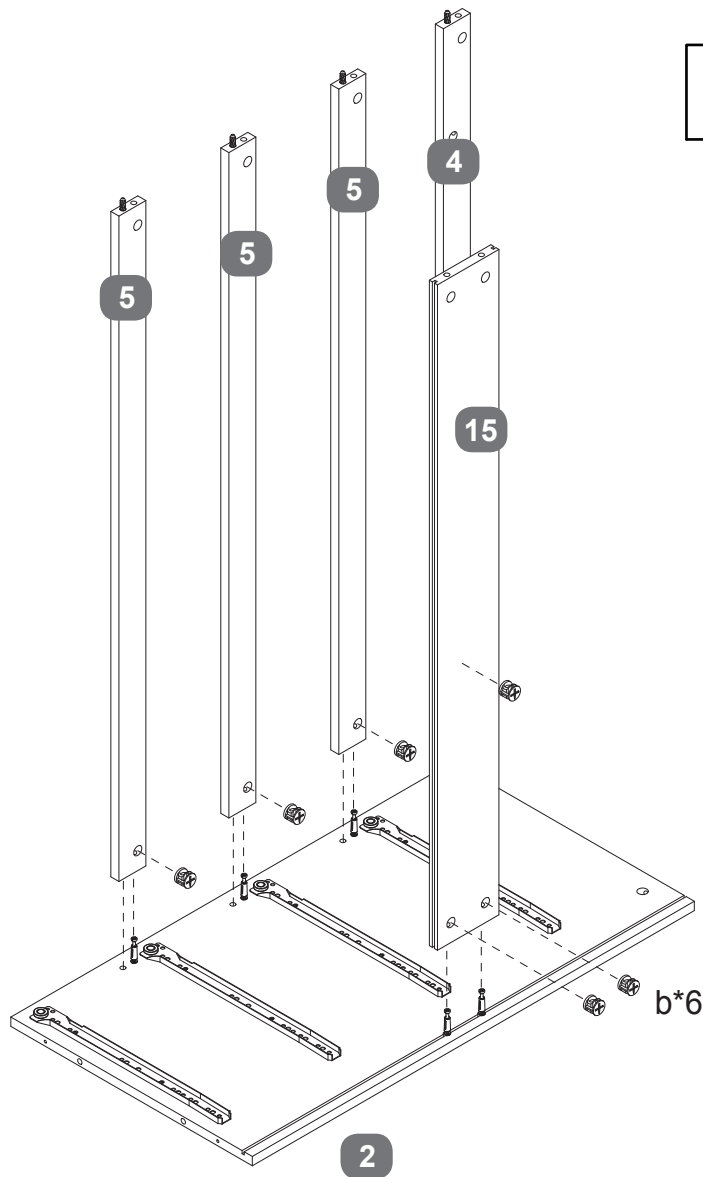
Stage  
3

e		8	
---	---	---	--



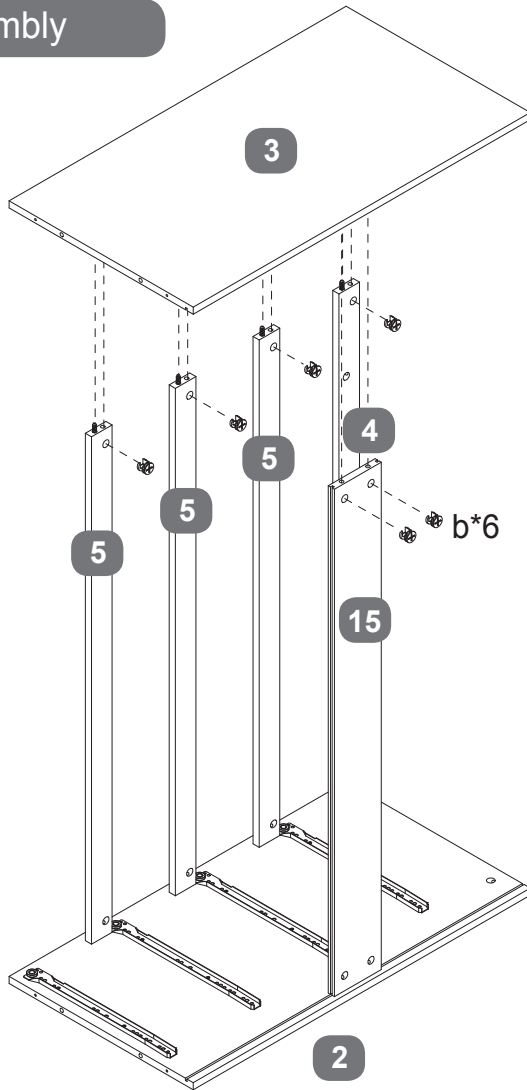
Stage  
4


b		6	
---	--	---	--

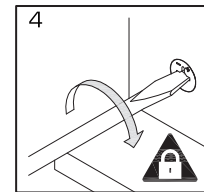
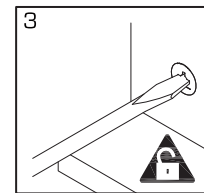
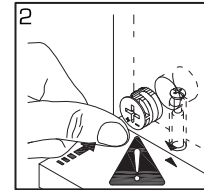
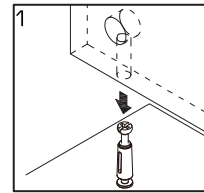


# Cabinet Assembly

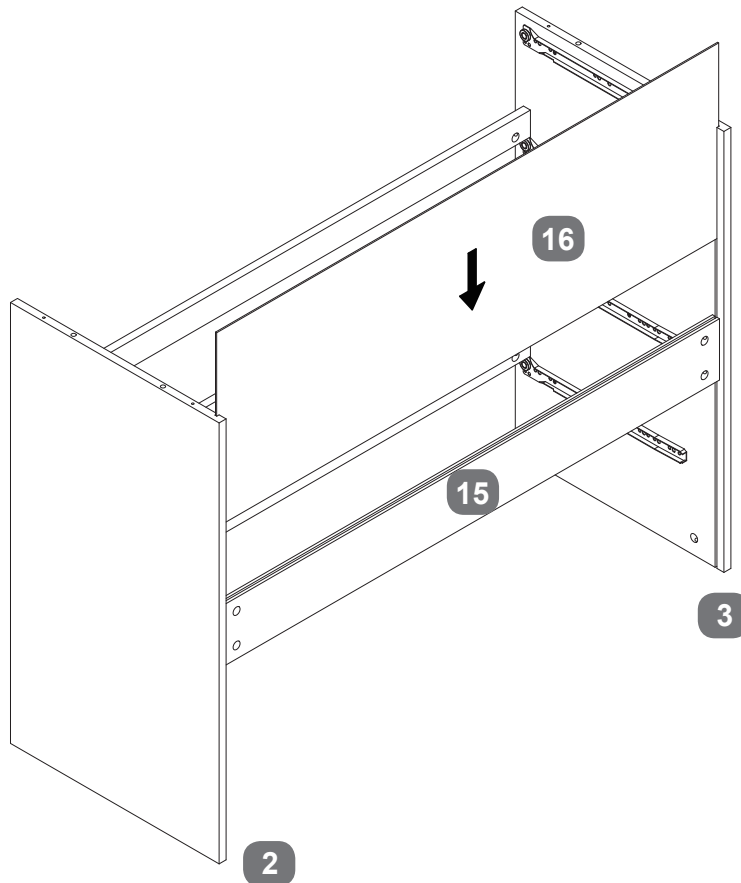
Stage  
5



b		6	
---	---	---	--

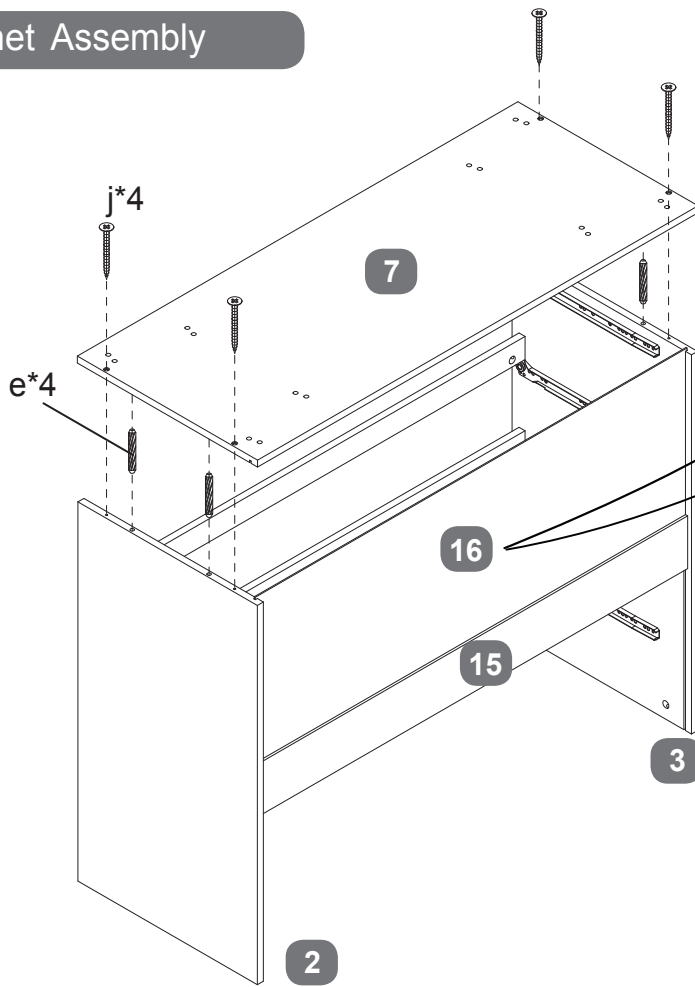


Stage  
6



# Cabinet Assembly

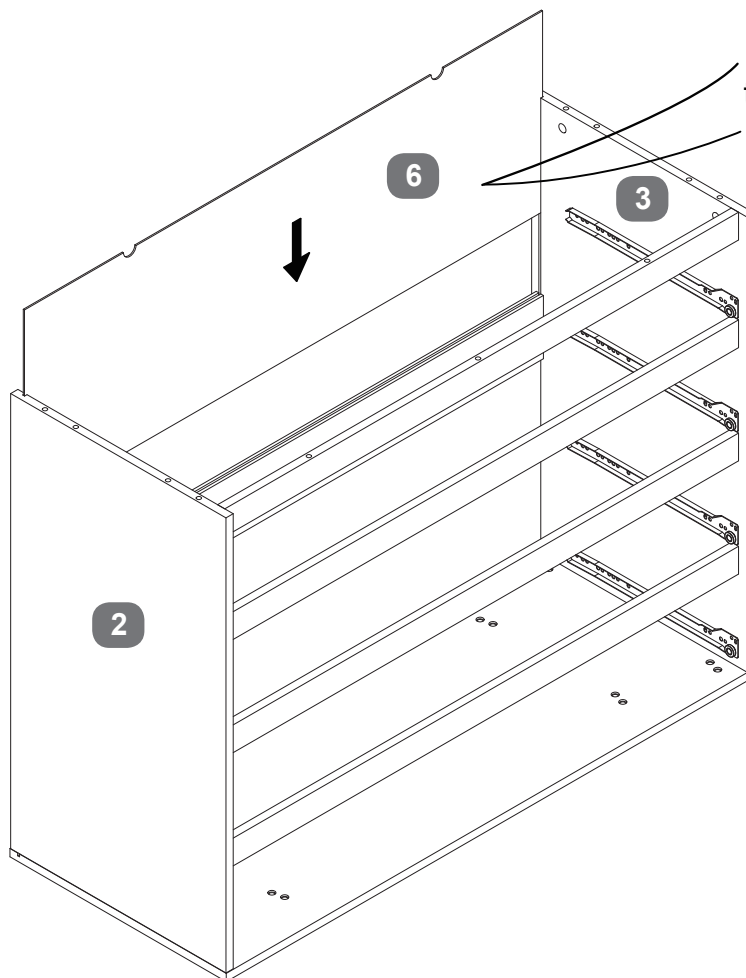
Stage  
7



e		4	
j		4	

**Back panel (16)**  
Place the coloured side on the outside of the cabinet at the back and plain side on the inside of the cabinet.

Stage  
8

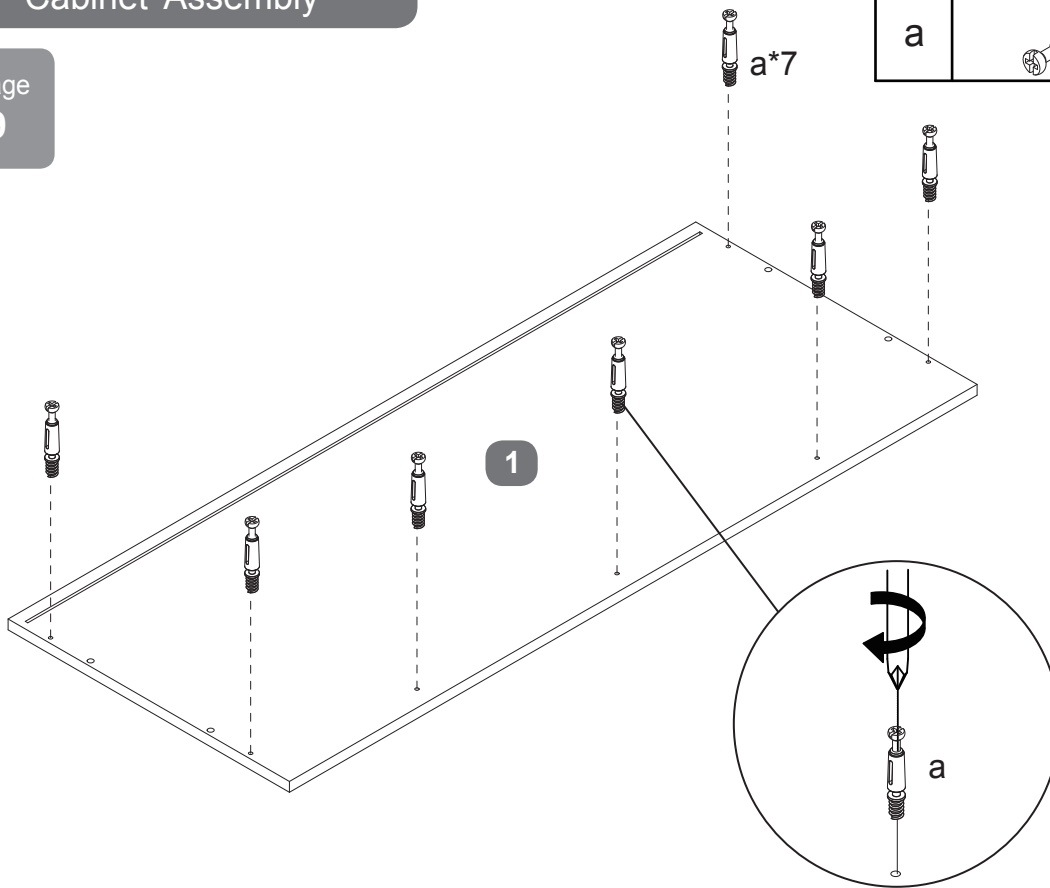


**Back panel (6)**  
Place the coloured side on the outside of the cabinet at the back and plain side on the inside of the cabinet.



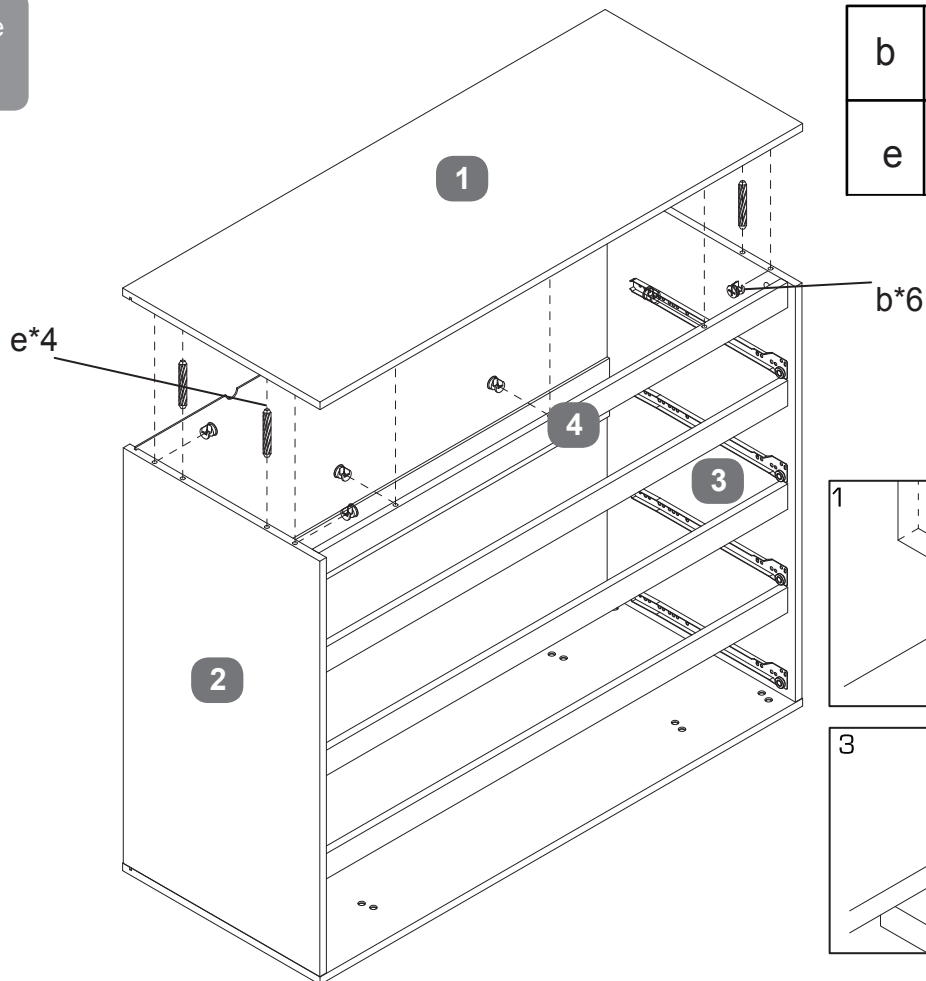
# Cabinet Assembly

Stage  
9

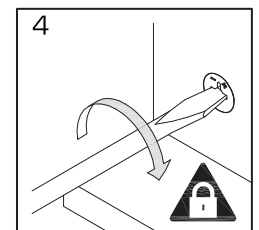
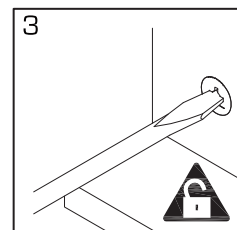
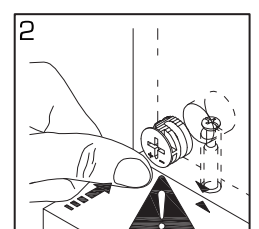
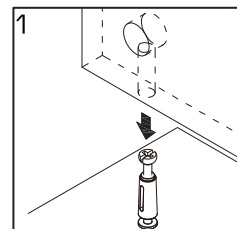


a		7	
---	--	---	--

Stage  
10

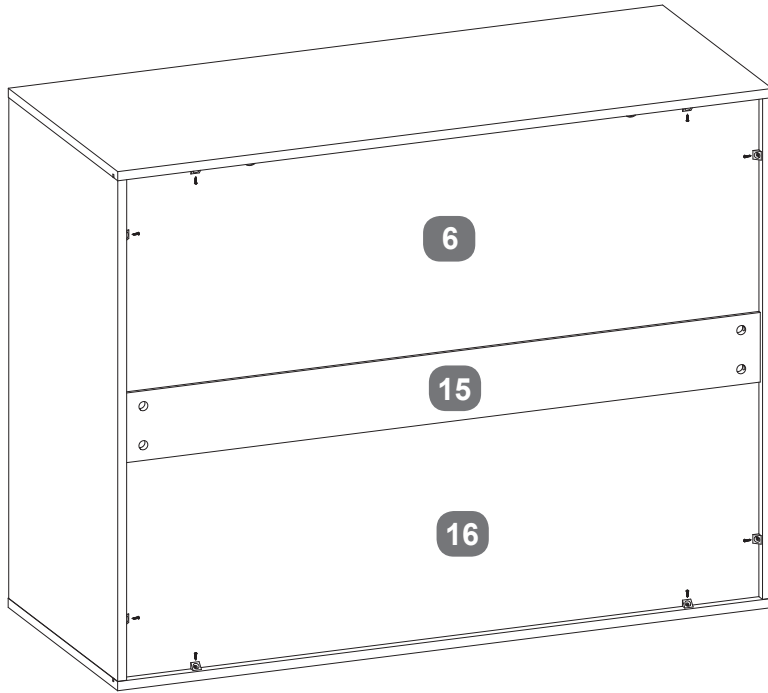


b		7	
e		4	

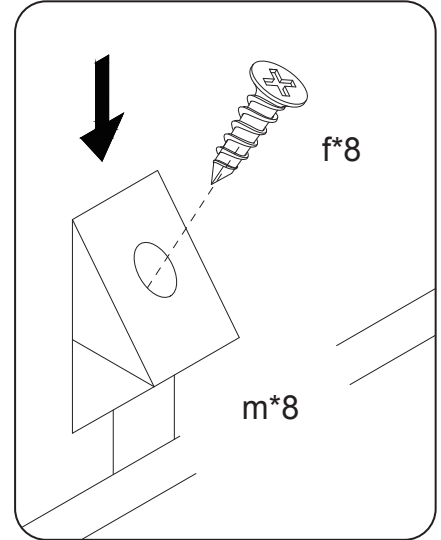


# Cabinet Assembly

Stage  
11

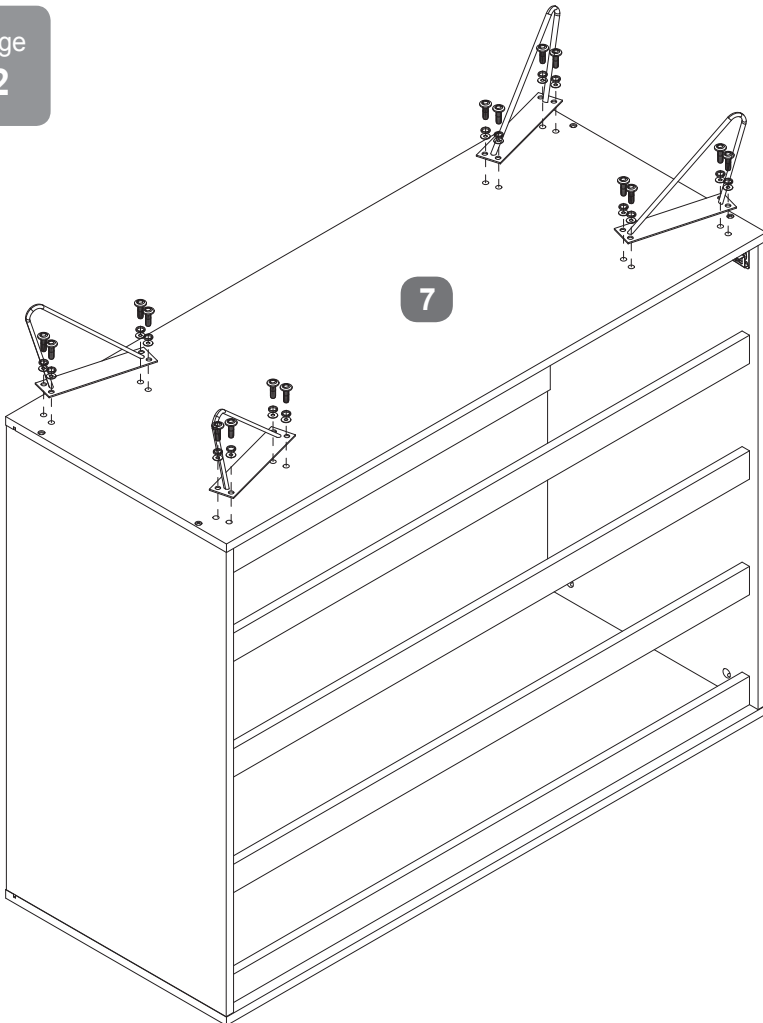


m		8	
f		8	

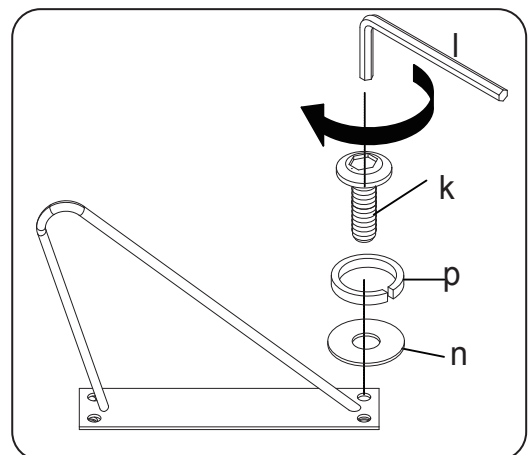


Push x8 (m) into the grooves as shown then fix with screw (f).

Stage  
12

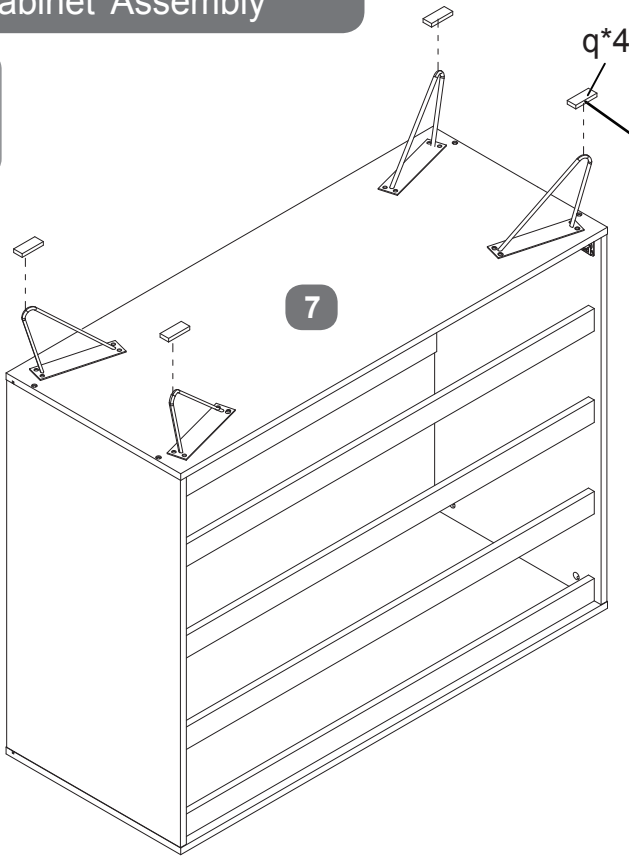


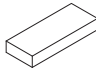
l		1	
k		16	
p		16	
n		16	
		4	



# Cabinet Assembly

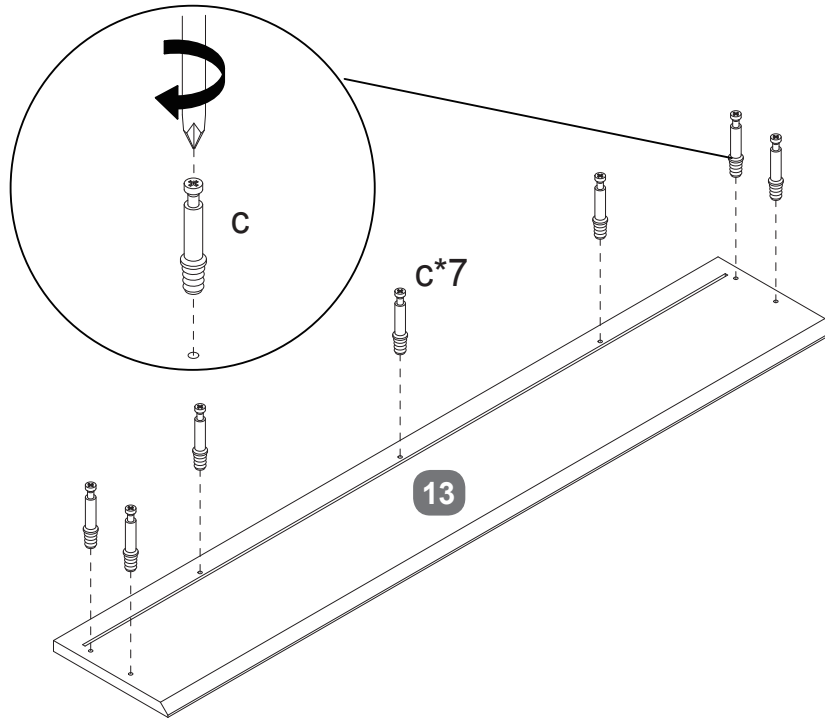
Stage  
13

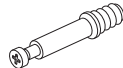


q		4	
---	---	---	--

Stage  
14

# 4X

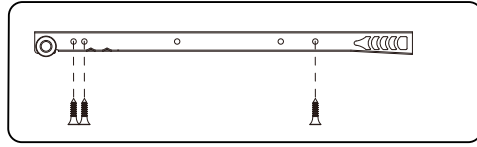


c		28	
---	---	----	--

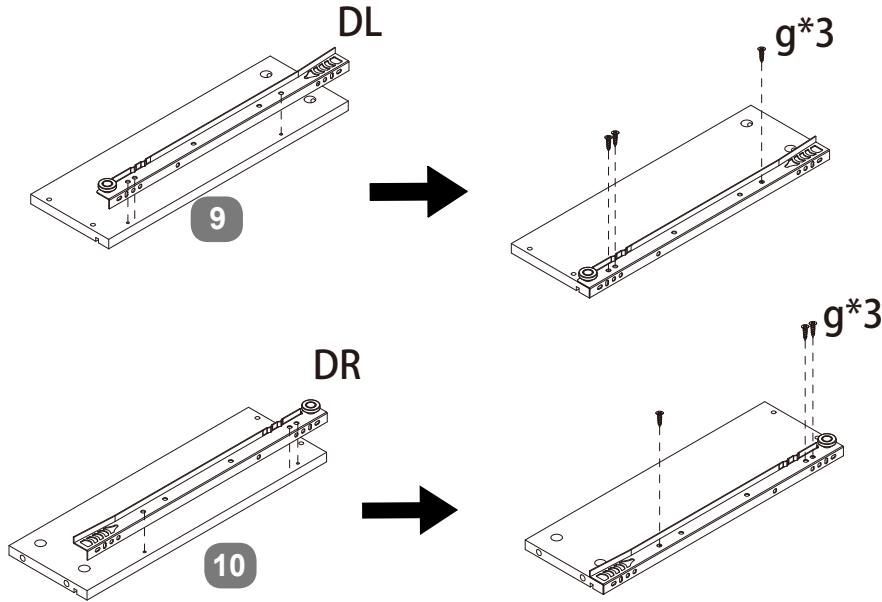
# Cabinet Assembly

Stage  
15

4X



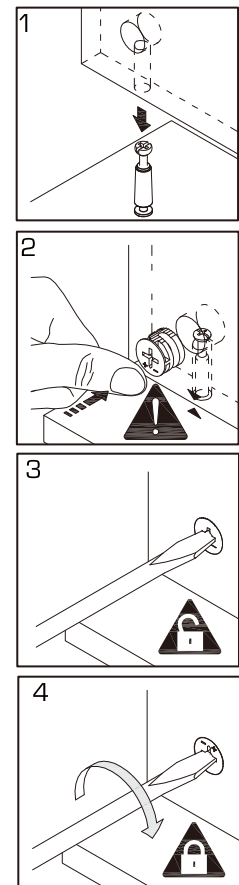
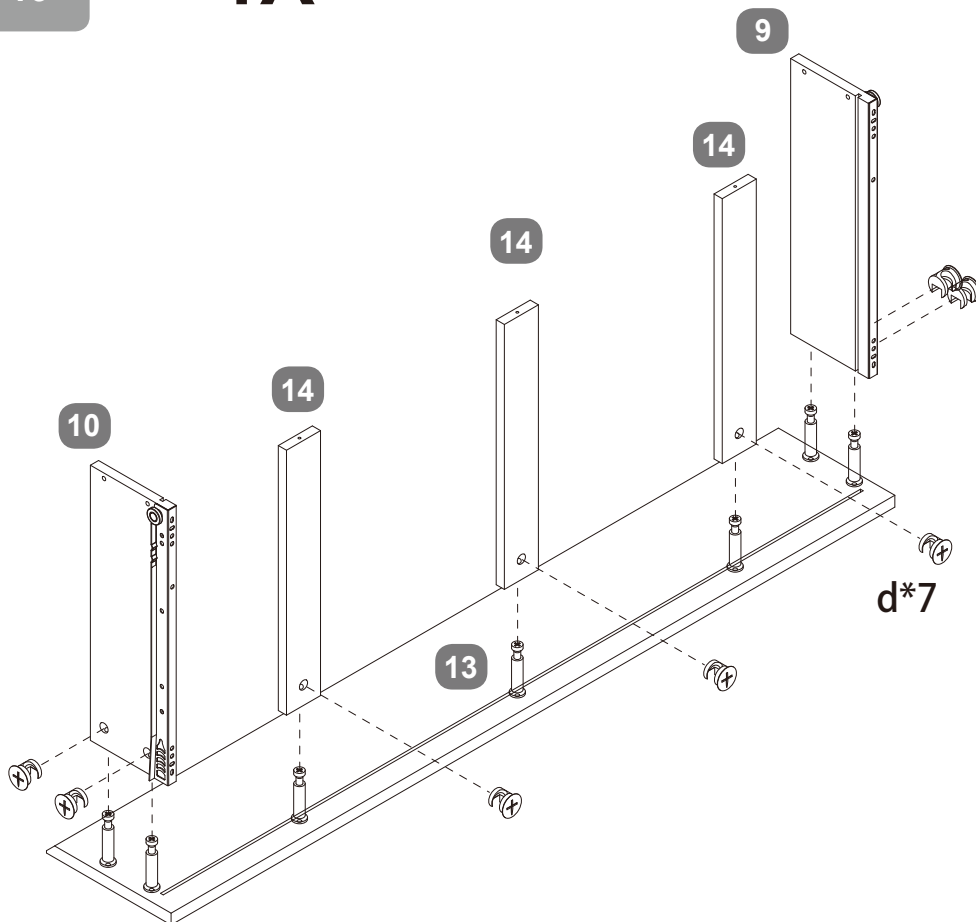
g		24	
DL		4	
DR		4	



Stage  
16

4X

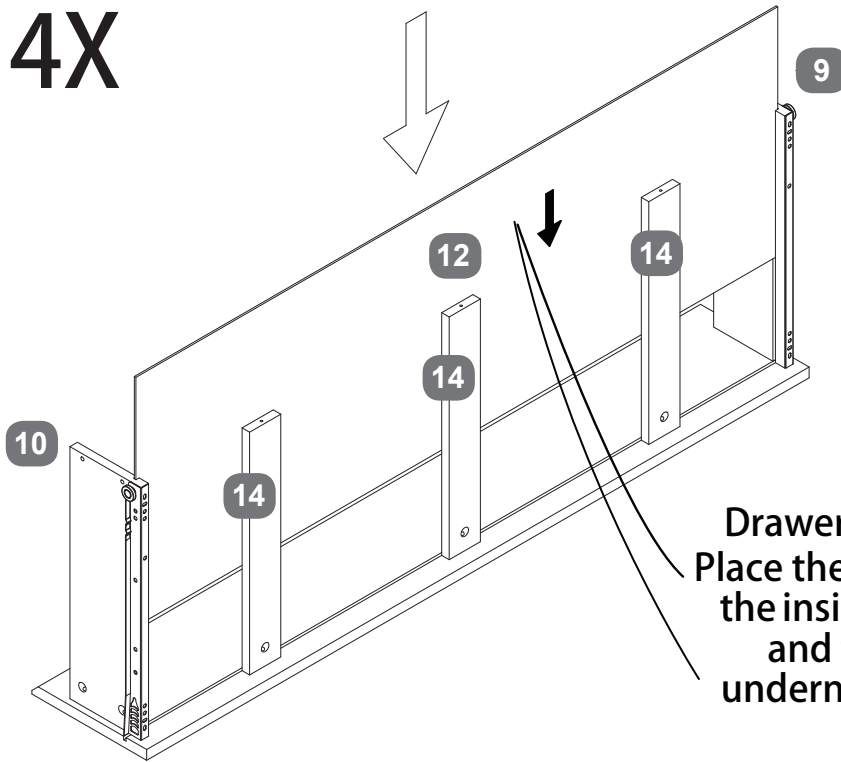
d		28	
---	--	----	--



# Cabinet Assembly

Stage  
17

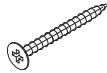
4X

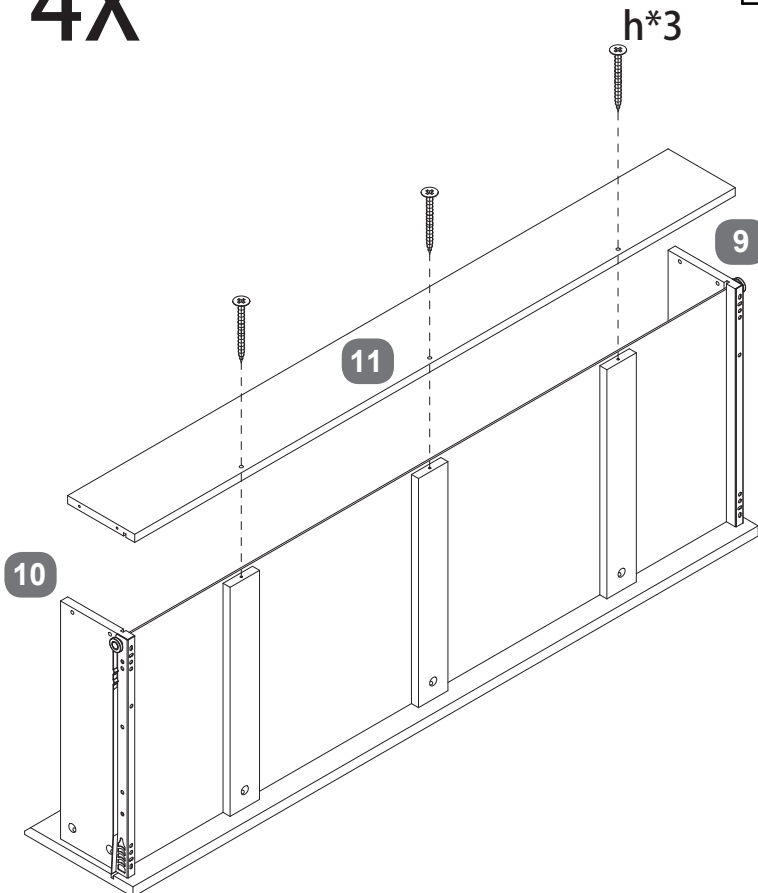


Drawer base panel (12)  
Place the coloured side on  
the inside of the drawer  
and the plain side  
underneath the drawer

Stage  
18

4X

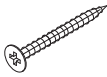
h		12	
---	---	----	--

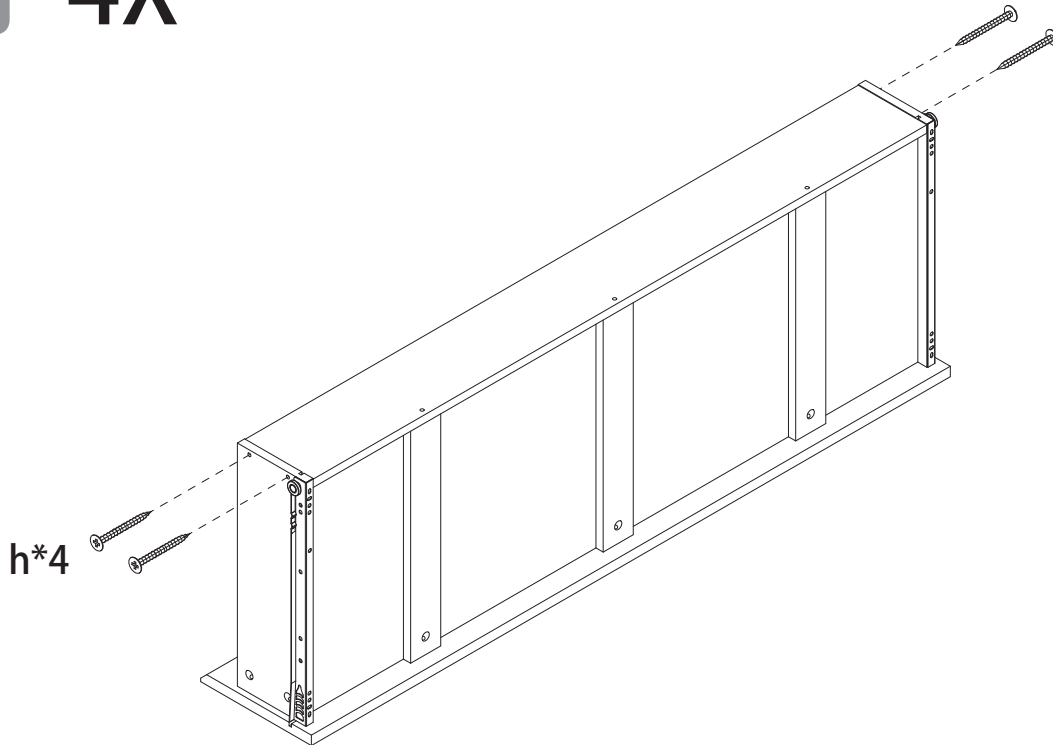


# Cabinet Assembly

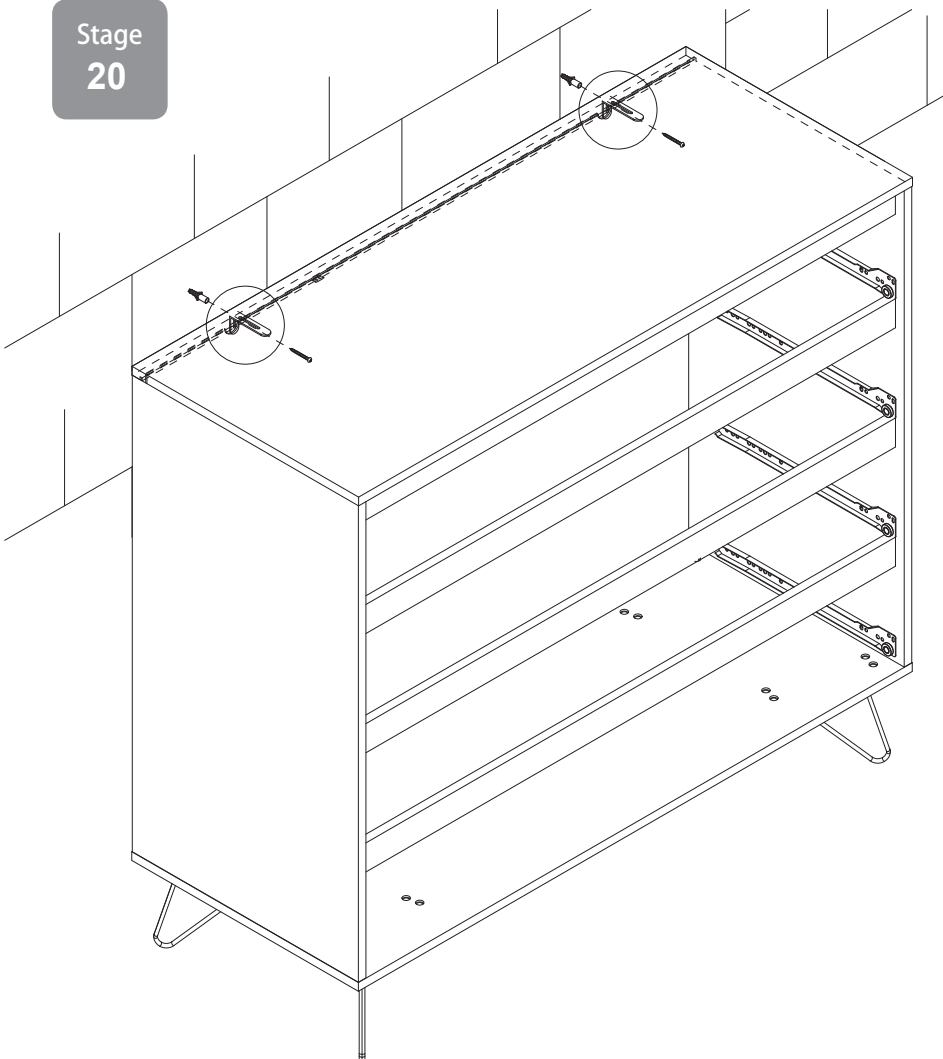
Stage  
19

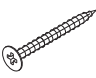

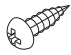



4X

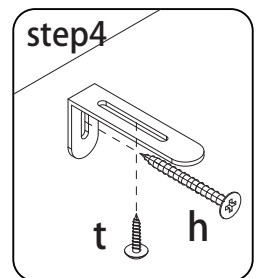
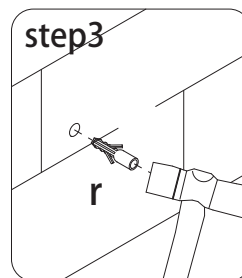
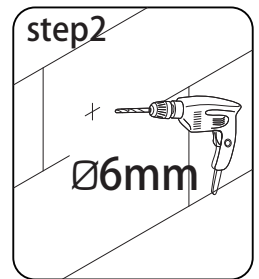
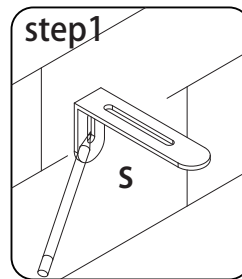
h		16	
---	---	----	--



Stage  
20

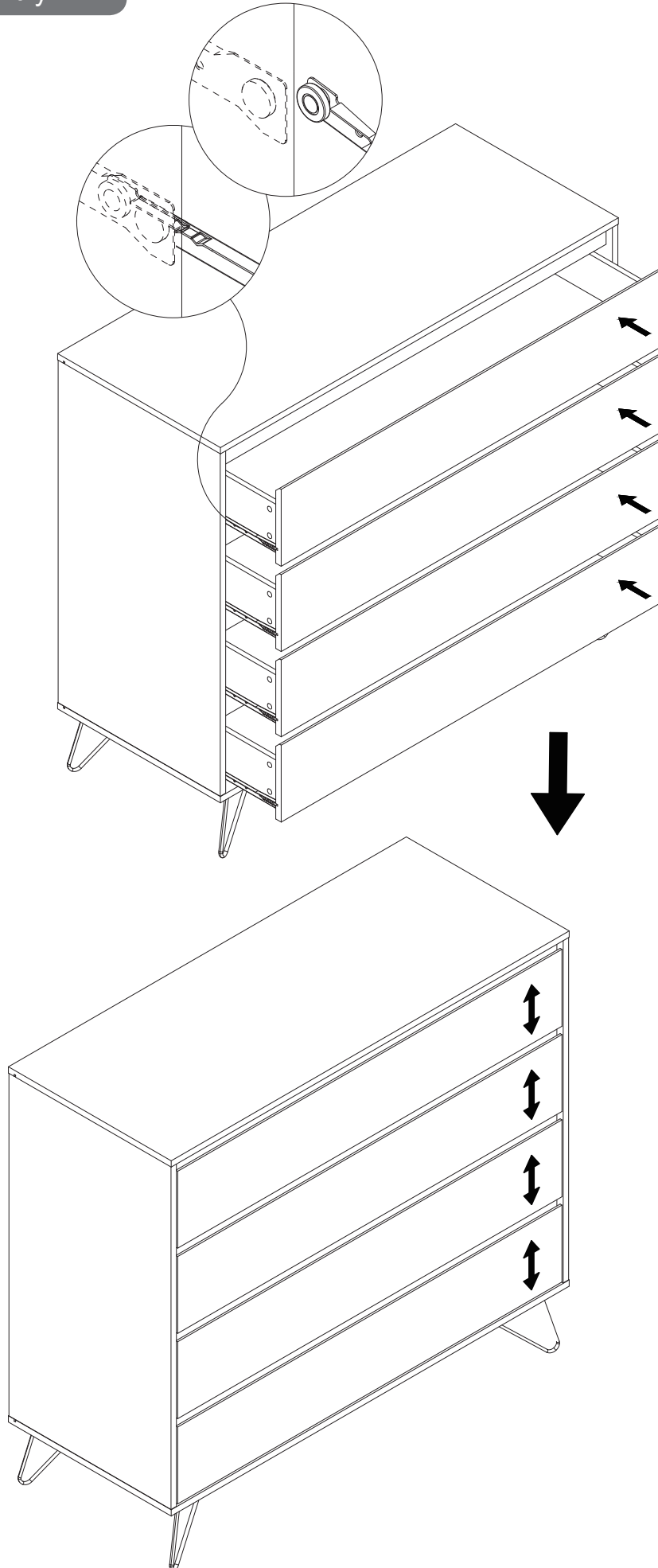


h		2	
t		2	
s		2	
r		2	




# Cabinet Assembly

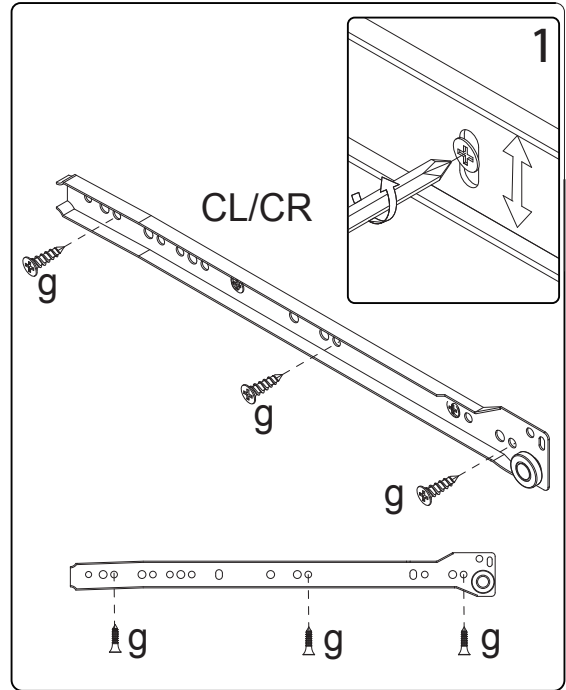
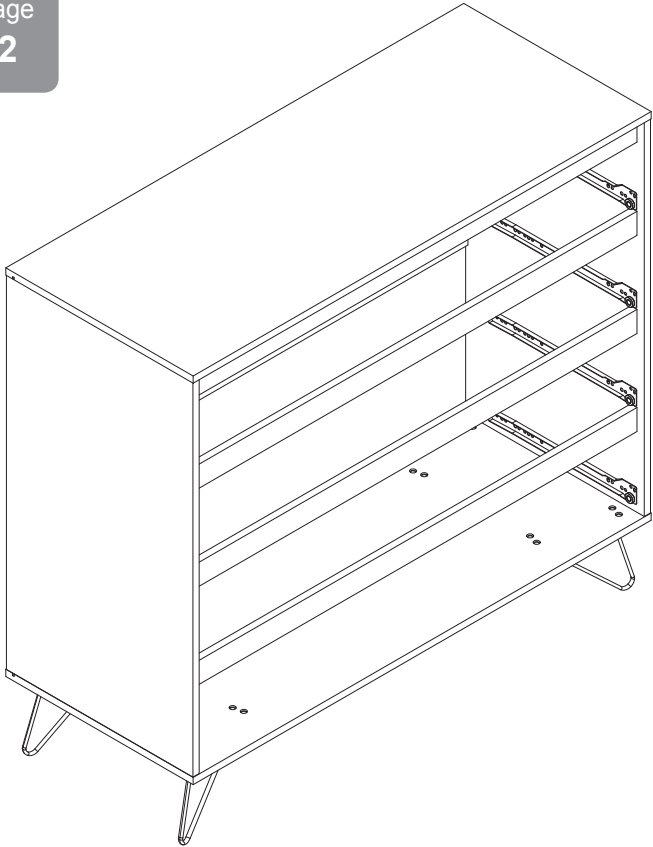
Stage  
21



# Cabinet Assembly

Stage  
22

g		24	
---	---	----	--



Stage  
23

